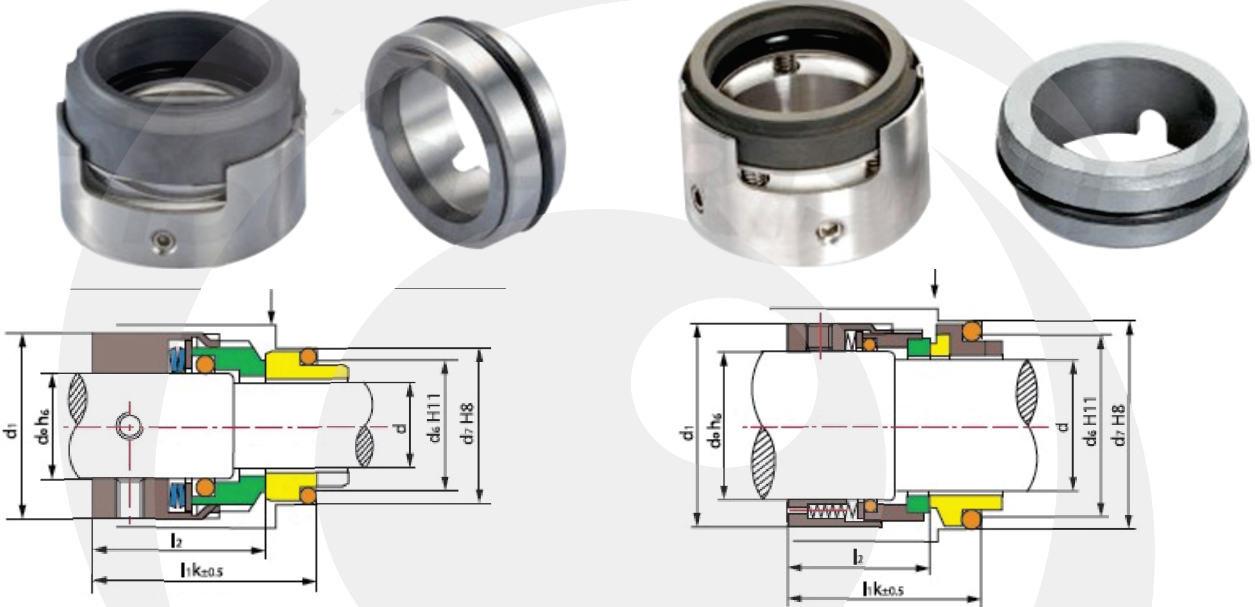


# E-60/E-75

**EGEMAF**  
 COMPONENTES ELETROMECÂNICOS LTDA.  
 Certificada ISO 9001/2008



**Limites operacionais:**  
 Pressão > 5.17MPa  
 Velocidade > 23m/s  
 Temperatura: -40°C~+204°C

**Operating limits:**  
 Pressure > 2.5MPa  
 Speed > 20m/s  
 Temperature: -20°C~+200°C

- Anel Giratório (SiC/Carvão/TC)
- Rotary Ring (SiC/Carbon/TC)
- Anel Estacionário (SiC/Carvão/TC)
- Stationary Ring (SiC/Carbon/TC)
- Selo Secundário (VITON/Anel Encapsulado)
- Secondary Seal (VITON/ Encapsulated Ring)
- Peças de Metal (SUS304/USU316)
- Metal Parts (SUS304/SUS316)
- Mola (17-7PH/SUS304/SUS316)
- Spring (17-7PH/SUS304/SUS316)

Seal size d (mm)	d <sub>0</sub>	d <sub>1</sub>	d <sub>6</sub>	d <sub>7</sub>	l <sub>2</sub>	l <sub>1k</sub>
25	30	45	34	40	36.0	47.5
28	33	48	37	43	38.5	50.0
30	35	50	39	45	38.5	50.0
33	38	55	42	48	38.5	50.0
35	40	57	44	50	38.5	50.0
38	43	60	49	56	38.5	52.5
40	45	62	51	58	38.5	52.5
43	48	65	54	61	38.5	52.5
45	50	67	56	63	38.5	52.5
48	53	70	59	66	38.5	52.5
50	55	72	62	70	42.5	57.5
53	58	79	65	73	42.5	57.5
55	60	81	67	75	42.5	57.5
60	65	86	72	80	47.5	62.5
65	70	91	77	85	47.5	62.5
70	75	99	83	92	52.0	70.0
75	80	104	88	97	52.0	70.0
80	85	109	95	105	51.8	70.0
85	90	114	100	110	56.8	75.0
90	95	119	105	115	56.8	75.0
95	100	124	110	120	57.8	75.0