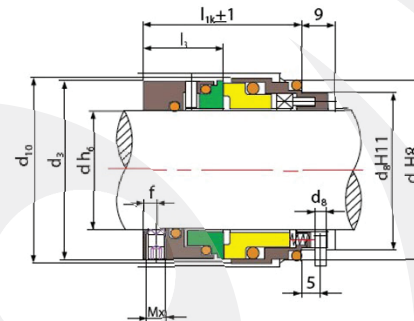


E-HRN

Certificada ISO 9001/2008

EGEMAF[®]
COMPONENTES ELETROMECÂNICOS LTDA.



Limites operacionais:

Pressão < 2.5MPa
Velocidade < 20m/s
Temperatura: -20°C~+180°C

Operating limits:

Pressure < 2.5MPa
Speed < 20m/s
Temperature: -20°C~+180°C

- Anel Giratório (SiC/TC)
- Anel Estacionário (Carvão/SiC/TC)
- Selo Secundário (NBR/VITON/EPDM)
- Mola (SUS316/Hastalloy-c)
- Outras peças (SUS304/SUS316)

- Rotary Ring (SiC/TC)
- Stationary Ring (Carbon/SiC/TC)
- Secondary Seal (NBR/VITON/EPDM)
- Spring (SUS316/Hastalloy-c)
- Other Parts(SUS304/SUS316)

Seal size d(mm)	d ₃	d ₆	d ₇	d ₈	d ₁₀	l _{1k}	l ₃	f	Mx
18	33	27	33	3	34.7	375	195	3.0	4
20	35	29	35	3	36.7	375	195	3.0	4
22	37	31	37	3	38.7	375	195	3.0	4
24	39	33	39	3	40.7	40.0	205	35	5
25	40	34	40	3	41.7	40.0	205	35	5
28	43	37	43	3	44.7	425	215	35	5
30	45	39	45	3	46.7	425	215	35	5
32	48	42	48	3	49.7	425	215	35	5
33	48	42	48	3	49.7	425	215	35	5
35	50	44	50	3	51.7	425	215	35	5
38	56	49	56	4	57.7	45.0	24.0	4.0	6
40	58	51	58	4	59.7	45.0	24.0	4.0	6
43	61	54	61	4	62.7	45.0	24.0	4.0	6
45	63	56	63	4	64.7	45.0	24.0	4.0	6
48	66	59	66	4	67.7	45.0	24.0	4.0	6
50	70	62	70	4	71.7	475	25.0	4.0	6
53	73	65	73	4	74.7	475	25.0	4.0	6
55	75	67	75	4	76.7	475	25.0	4.0	6
58	78	70	78	4	80.5	525	28.0	4.0	6
60	80	72	80	4	82.5	525	28.0	4.0	6
63	83	75	83	4	85.5	525	28.0	4.0	6
65	85	77	85	4	87.5	525	28.0	4.0	6
68	90	81	90	4	92.5	525	28.0	4.0	6
70	92	83	92	4	94.5	60.0	34.0	6.0	8
75	97	88	97	4	100.5	60.0	34.0	6.0	8
80	105	95	105	4	108.5	60.0	34.0	6.0	8
85	110	100	110	4	113.5	60.0	34.0	6.0	8
90	115	105	115	4	118.5	65.0	39.0	10.0	8
95	120	110	120	4	123.5	65.0	39.0	10.0	8
100	125	115	125	4	128.5	65.0	39.0	10.0	8